

AMIAD Water Systems

Spare Parts List
Semi Automatic Filters
April 2015



AMIAD Water Systems

Spare Parts List

Semi Automatic Filters

Disclaimer:

This document and the information enclosed within it contain restricted and/or privileged information that are intended only for usage by authorized Amiad technicians. If you are not a qualified Amiad technician you must not take any action in reliance to this document, unless permitted by Amiad. None of the procedures provided on this file may be used in any form or by any means without permission from Amiad. If you received this file in error please notify Amiad immediately. The confidential nature of and/or privilege in the file enclosed is not waived or lost as a result of a mistake or error in this file.

Amiad accepts no liability whatsoever, whether it was caused by:

1. Accessing or other related actions to this file.
2. Any links, procedures or materials provided/attached to this file.

Amiad assumes that all users understand risks involved within this file and/or its attached materials.

All the procedures, drawings, pictures and/or any other information provided in this document are presented as general information only; they can be altered, removed or changed without any further notice by Amiad.

This document does not replace any certified drawing, procedure or information provided by Amiad in reference to a specific customer, site or project.

All rights reserved.

TABLE OF CONTENTS

Semi Auto 2" T & 3" T Plastic scanaway	4-5
Semi Auto 2" T & 3" T Plastic Brushaway	6-7
Semi Auto 3" Metal Filter Scanaway	8-9
Semi Auto 3" Metal Filter Brushaway	10-11
Semi Auto 4" S & 6" C Metal Filter Scanaway	12-14
Semi Auto 4" S & 6" C Metal Filter Brushaway	15-16
Semi Auto 6" S & 8" Inline Metal Filter Scanaway	17-19
Semi Auto 6" S & 8" Inline Metal Filter Brushaway	20-21
Semi Auto 6" S & 8" Modular Metal Filter Scanaway	22-24
Semi Auto 6" S & 8" Modular Filter Brushaway	25-26

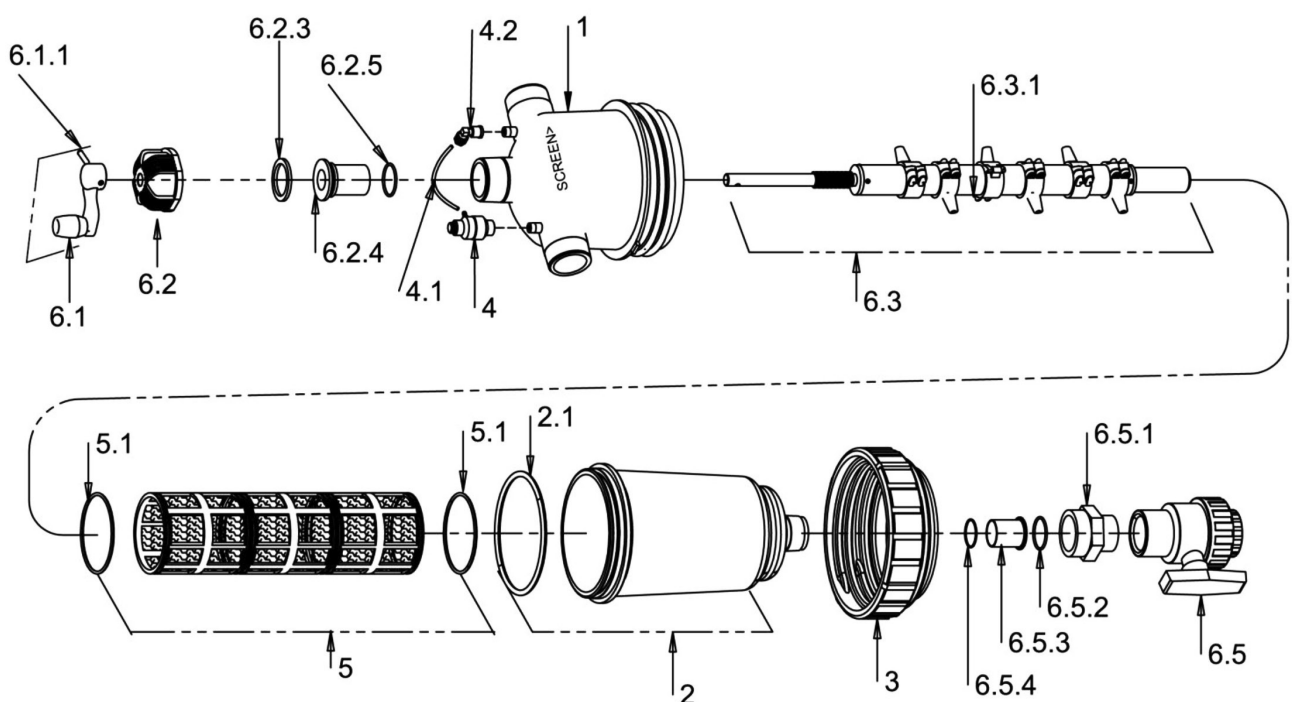
Semi Auto 2" T & 3" T Plastic Scanaway

NO.	DESCRIPTION	SAP. CAT.NO.
1	Housing (2" T, 2" T-S)	710103-004372
1	Housing-TH (3" TL)	710103-004385
2	Lid (2" T)	710103-000545
2	Lid (2" T-S, 3" T)	710103-000562
2.1	O-Ring P2-437	770102-000169
3	Tightening Nut (T filters)	710103-000544
4	Clogging Indicator Housing	700190-001245
4.1	Pilot Tube 6mm	720501-000196
4.2	L-Connector (1/4" x 6mm)	720501-000242
5	Moulded Screen for 2" T 465 Sq.cm	700101-XXXXXX
5	Moulded Screen for 3" T 700 Sq.cm	700101-XXXXXX
5.1	O-Ring P2-242	770102-000130
6.1	Operating handle (2"-4")	700190-001414
6.1.1	Pin-Plastic Handle	710101-000651
6.2	Cap Assembly 2" (Drilled)	700190-001393
6.2	Cap Assembly 3" (Drilled)	700190-001405
6.2.3	Cap Seal 2"	770103-000041
6.2.3	Cap Seal 3"	770103-000047
6.2.4	Suction Scanner Drive Bushing (2" T, 2" T-S)	710103-000692

(Continued)

Semi Auto 2" T & 3" T Plastic Scanaway (Continued)

NO.	DESCRIPTION	SAP. CAT.NO.
6.2.4	Suction Scanner Drive Bushing (3" T)	710103-000710
6.2.5	O-Ring P2-129 [2" T & 2" T-S]	770102-000096
6.2.5	O-Ring P2-232 [3" T]	770102-000121
6.3	Suction Scanner (2" T-S, 3" T)	700190-001396
6.3	Suction Scanner (2" T)	700190-001395
6.3.1	Suction Scanner Nozzle (Scanaway, TAF)	710101-000751
6.5	Ball Valve 1 1/2" (PVC)	730104-000253
6.5.1	Connector 1 1/2" F x 1 1/2" M	780101-000955
6.5.2	O-Ring P2-129	770102-000096
6.5.3	External Lower Bearing- Suction Scanner	710103-000704
6.5.4	O-Ring P2-028	770102-000069



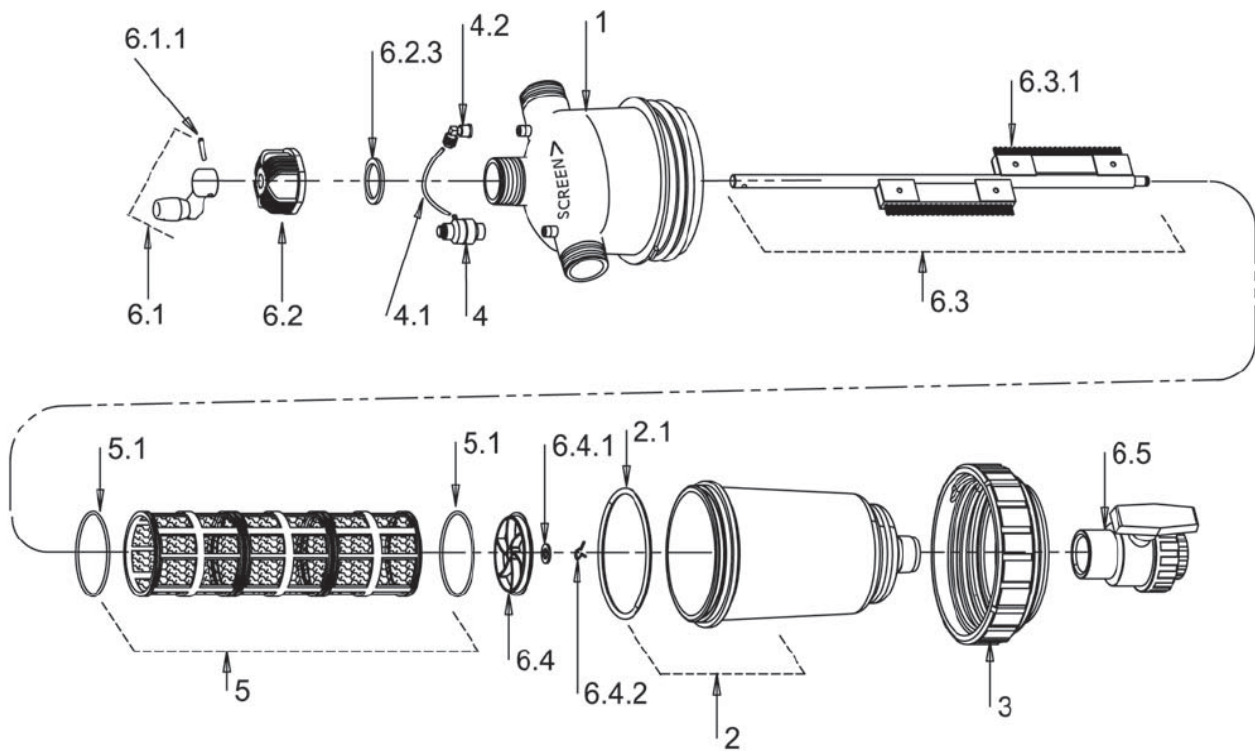
Semi Auto 2" T & 3" T Plastic Brushaway

NO.	DESCRIPTION	SAP. CAT.NO.
1	Housing (2" T, 2" T-S)	710103-004372
1	Housing-TH (3" TL)	710103-004385
2	Lid (2" T)	710103-000545
2	Lid (2" T-S, 3" T)	710103-000562
2.1	O-Ring (P2-437)	770102-000169
3	Tightening Nut (T filters)	710103-000544
4	Clogging Indicator	700190-001245
4.1	Pilot Tube 6mm	720502-000019
4.2	L-Connector (1/4 x 6mm)	720501-000242
5	Moulded Screen for 2" T 465 Sq.cm	700101-xxxxxx
5	Moulded Screen for 3" T 700 Sq.cm	700101-xxxxxx
5.1	O-Ring (P2-242)	770102-000130
6.1	Operating Handle (2" - 4")	700190-001414
6.1.1	Pin - Plastic Handle	710101-000651
6.2	Cap Assembly 2" (Drilled)	700190-001393
6.2	Cap Assembly 3" (Drilled)	700190-001405
6.2.3	Cap Seal 2"	770103-000041
6.2.3	Cap Seal 3"	770103-000047
6.3	Brush Assembly (2")	700190-001244

(Continued)

Semi Auto 2" T & 3" T Plastic Brushaway (Continued)

NO.	DESCRIPTION	SAP. CAT.NO.
6.3	Brush Assembly (2" T-S, 3" T)	700190-001404
6.3.1	Brush Unit (242mm)	710103-000685
6.3.1	Brush Unit (186mm) [x2]	710103-000707
6.4	Brush Shaft Centring Disc	710101-000657
6.4.1	Washer M12 (St.st.)	760103-000098
6.4.2	Axis Locking Spring	760107-000053
6.5	Ball valve 1½" (PVC)	730104-000253



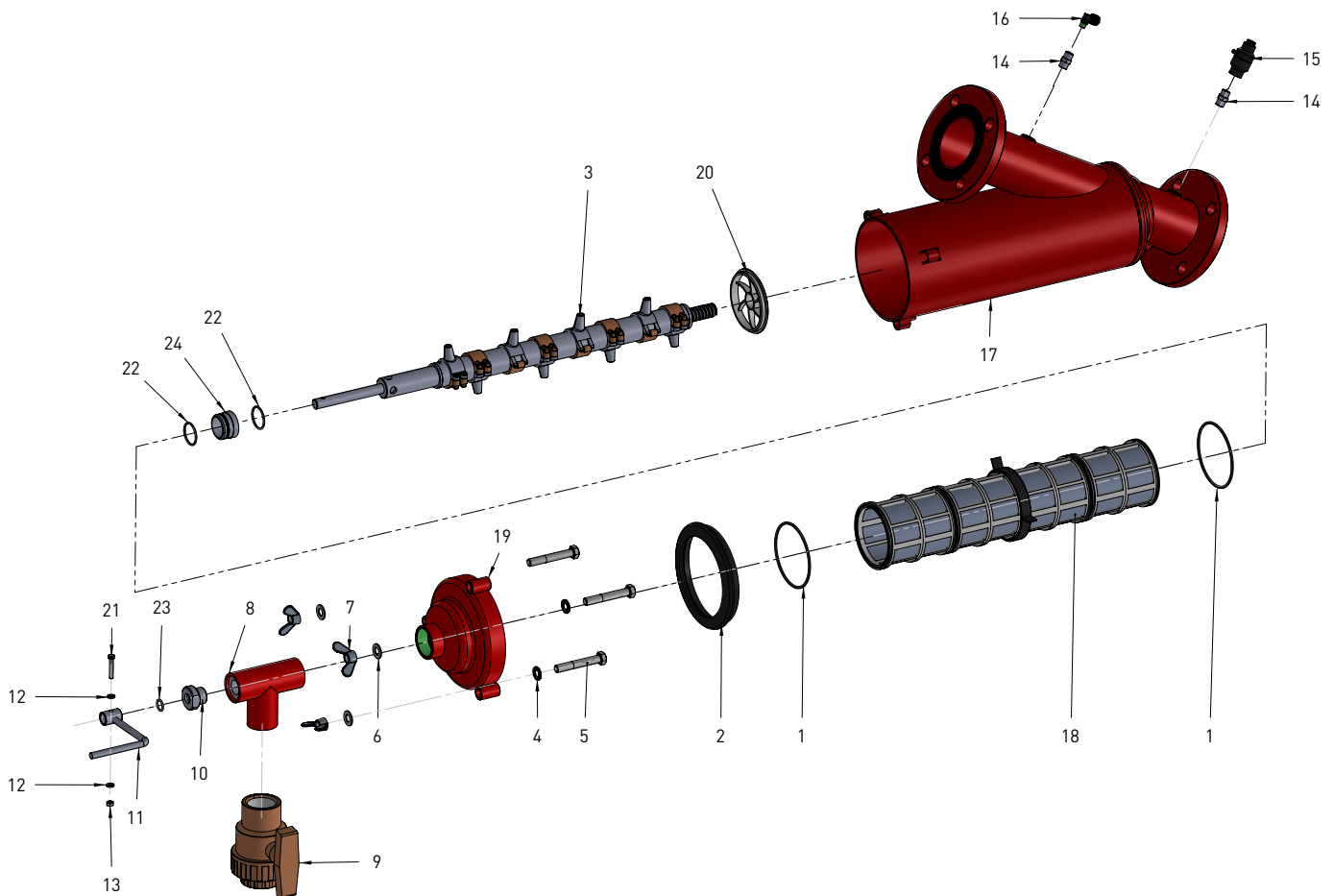
Semi Auto 3" Metal Filter Scanaway

NO.	DESCRIPTION	SAP. CAT.NO.
1	O-Ring Seal P2-242 (2"/3" Screen) NBR "S"	770102-000130
2	Service Port Lid Seal AM-12 (SAF-4500)	770104-000083
3	Suction Scanner (3", 4" L)	710103-000722
4	Hold Plastic Washer	710101-000632
5	Hex Bolt Partial Thr M12 x 80 Z.PLT C/ST	760101-000322
6	Flat Washer M12 DIN125 Zinc Plated C/ST	760103-000077
7	Wing Nut M12 Brass B18.17	760102-000113
8	Tee 1.5" BSPT Red for B/A & S/A	710102-000086
9	Ball Valve 1 1/2", PVC, Threaded	730104-000253
10	Bearing Nut B/A, S/A Shaft	710103-000703
11	Operating Handle (2"-4")	710102-000057
12	Flat Washer M6 DIN 125 S/St 316	760103-000094
13	Hex Nut M6 S/St 316 Din 934	760102-000085
14	Press Ch Point Connector 1/4" x 1/4" Brass	710103-000591
15	Clogging Indicator Assy	700190-001304
16	Pressure Check Point Plastic w/o Nipple	700190-001305
17	Housing 3" BSTD/ASA Poly PKPK-3002	710105-000112
18	Weavewire St 316 930 Sq.cm SC130mic F/3" MT	700101-000449
19	Lid 2"-4" (Dom) Shape Seal Poly PKPK-3002	710105-000057

(Continued)

Semi Auto 3" Metal Filter Scanaway (Continued)

NO.	DESCRIPTION	SAP. CAT.NO.
20	Centering Ring for Suction Scanner	710101-000656
21	Hex Bolt Full TH M 6x 35 S/St 304 Din 933	760101-000447
22	O-Ring Seal P2-125 Scanner Bearing NBR "S"	770102-000092
23	O-Ring Seal P2-114 NBR "S"	770102-000083
24	Sealing Insert for Suction Scanner 2"-4"	710103-000717



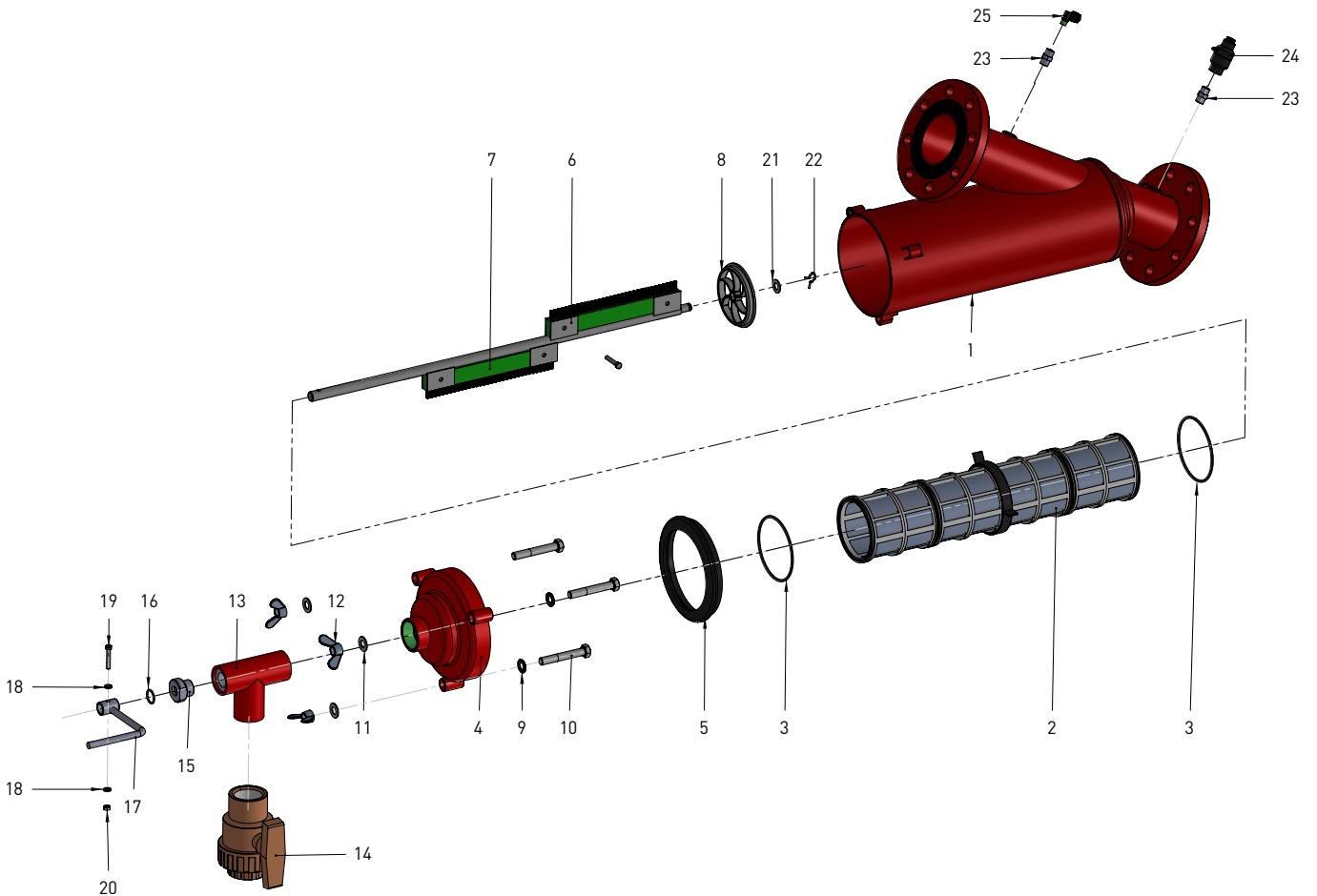
Semi Auto 3" Metal Filter Brushaway

NO.	DESCRIPTION	SAP. CAT.NO.
1	Filter Housing 3" Epoxy PKPK-3002	710105-000115
2	Moulded screen	700101-XXXXXX
3	O-Ring Seal P2-242	770102-000130
4	Lid 2"-4" (Dom) Share Seal PKPK-3002	710105-000057
5	Service Port Lid Seal AM-12	770104-000083
6	Spindle & Frame 4" L	710102-000213
7	Plastic Brush Unit (242mm) 2" T/8 B/A	710103-000685
8	Centring Ring for Brush Shaft	710101-000657
9	Hold Plastic Washer	710101-000632
10	Hexagonal Bolt M12 x 80 Partial Thread	760101-000322
11	Flat Washer M12 Din 125	760103-000077
12	Wing Nut M12 B18.17	760102-000113
13	Tee 1.5" BSPT Red for B/A & S/A	710102-000086
14	Ball Valve 1 1/2" Threaded	730104-000253
15	Bearing Nut B/A, S/A Shaft	710103-000703
16	O-Ring Seal P2-116 Bearing Nut	770102-000085
17	Operating Handle (2"-4")	710102-000057
18	Flat Washer M6 DIN125	760103-000094
19	Hexagonal Bolt Full Thread M6 x 35 DIN933	760101-000445

(Continued)

Semi Auto 3" Metal Filter Brushaway (Continued)

NO.	DESCRIPTION	SAP. CAT.NO.
20	Hexagonal Nut M6 Din 934	760102-000085
21	Flat Washer M12 Din 125	760103-000098
22	Axis Locking Spring	760107-000053
23	Pressure Point Connector 1/4" x 1/4" BSP	710103-000591
24	Clogging Indicator Assembly	700190-001304
25	Pressure Check Point	700190-001305



Semi Auto 4" S & 6" C metal Filter Scanaway

NO.	DESCRIPTION	SAP. CAT.NO.
1	Housing 4" S In-Line	710105-000155
1	Housing 6" C In-Line	710105-000195
2	Lid	710103-000780
2.1	Hydraulic Seal AM-07	770104-000089
3	Bolt 3/4" x 130 (x 4)	760101-000297
3.1	Washer 3/4" (x 4)	760103-000070
3.2	Wing Nut 3/4" (x 4)	760102-000076
4	Clogging Indicator Assembly	700190-001304
4.1	Clogging Indicator	700190-001245
4.2	6mm Pipe	720502-000019
4.3	Connector 1/4" x 1/4" (Brass) (x 2)	710103-000591
4.4	L-Connector 1/4" x 6mm	720501-000242
5	Moulded screen	700101-XXXXXX
5.1	Hydraulic Seal AM-05 (x 2)	770104-000080
6.1	Operating Handle (2" -4")	710102-000057
6.1.1	Bolt M6 x 35 (St.St.)	760101-000447
6.1.2	Washer M6 (St.St.) (x 2)	760103-000094
6.1.3	Nut M6 (St.St.)	760102-000085
6.2	2" T - 2" x 2" (BSPT)	710105-000304

(Continued)

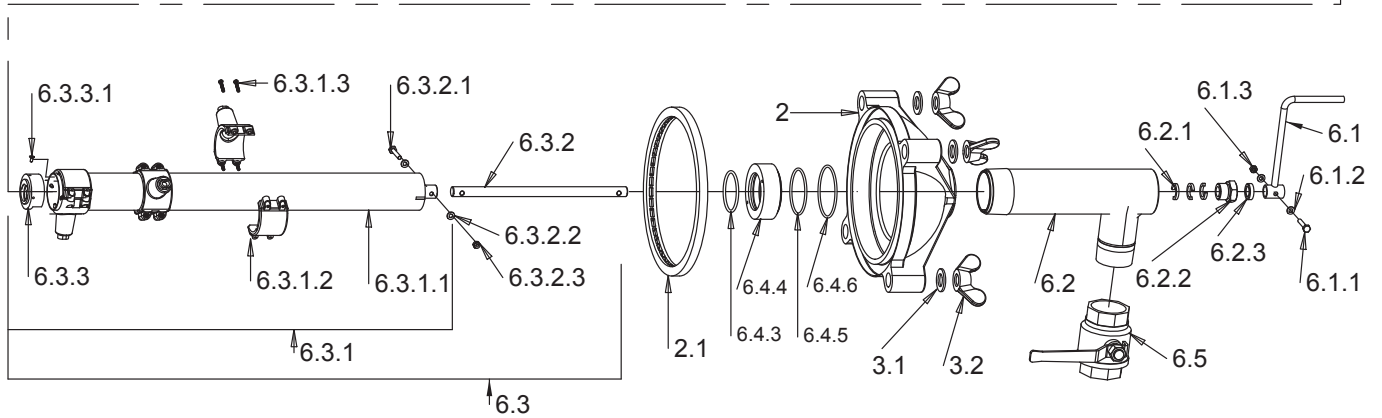
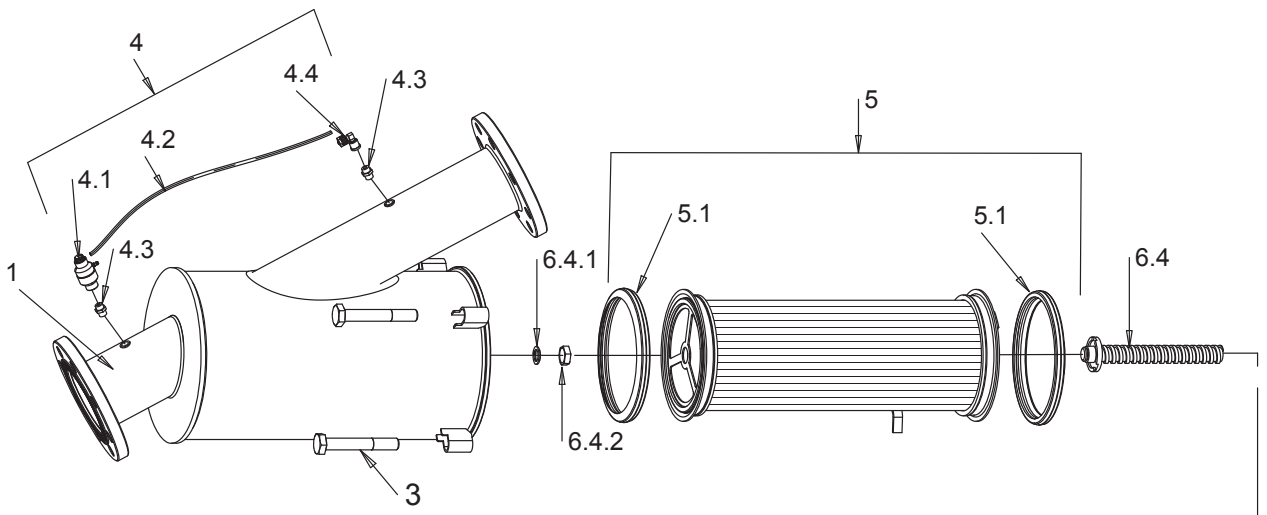
Semi Auto 4" S & 6" C Metal Filter Scanaway (Continued)

NO.	DESCRIPTION	SAP. CAT.NO.
6.2	2" T - 2" x 2" (NPT)	710105-000305
6.2.1	Sealing Rope	700190-001363
6.2.2	Tightening Nut (4" S-14")	710103-000740
6.2.3	Plastic Bushing (4" S-14")	710103-000739
6.3	Suction Scanner Assembly	700190-001442
6.3.1	Suction Scanner 4" S/6C	710102-000134
6.3.1.1	Suction Scanner Pipe	710103-000746
6.3.1.2	Suction Nozzle Unit (x 3)	710101-000922
6.3.1.3	Bolt M4 x 20 (St. St.) (x 12)	760101-000537
6.3.2	Scanner Shaft	710103-000770
6.3.2.1	Bolt M6 x 35 (St. St.)	760101-000447
6.3.2.2	Washer M6 (St. St.) (x 2)	760103-000094
6.3.2.3	Lock nut M6 (St. St.)	760102-000101
6.3.3	Plastic nut 4" -14" Scanaway	710103-000771
6.3.3.1	Bolt 3.5 x 9.5 (St.St.)	760101-000541
6.4	Drive Bolt, Scanaway 4" S-14"	710103-000776
6.4.1	Union Nut Clip	710101-000974
6.4.2	3/4" Nut	780101-000741
6.4.3	O-Ring 60 x 4	770101-000040

(Continued)

Semi Auto 4" S & 6" C Metal Filter Scanaway (Continued)

NO.	DESCRIPTION	SAP. CAT.NO.
6.4.4	Scanner Bearing	710103-000778
6.4.5	O-Ring (P2-235)	770102-000124
6.4.6	O-Ring (P2-232)	770102-000121
6.5	2" Ball Valve	730104-000265



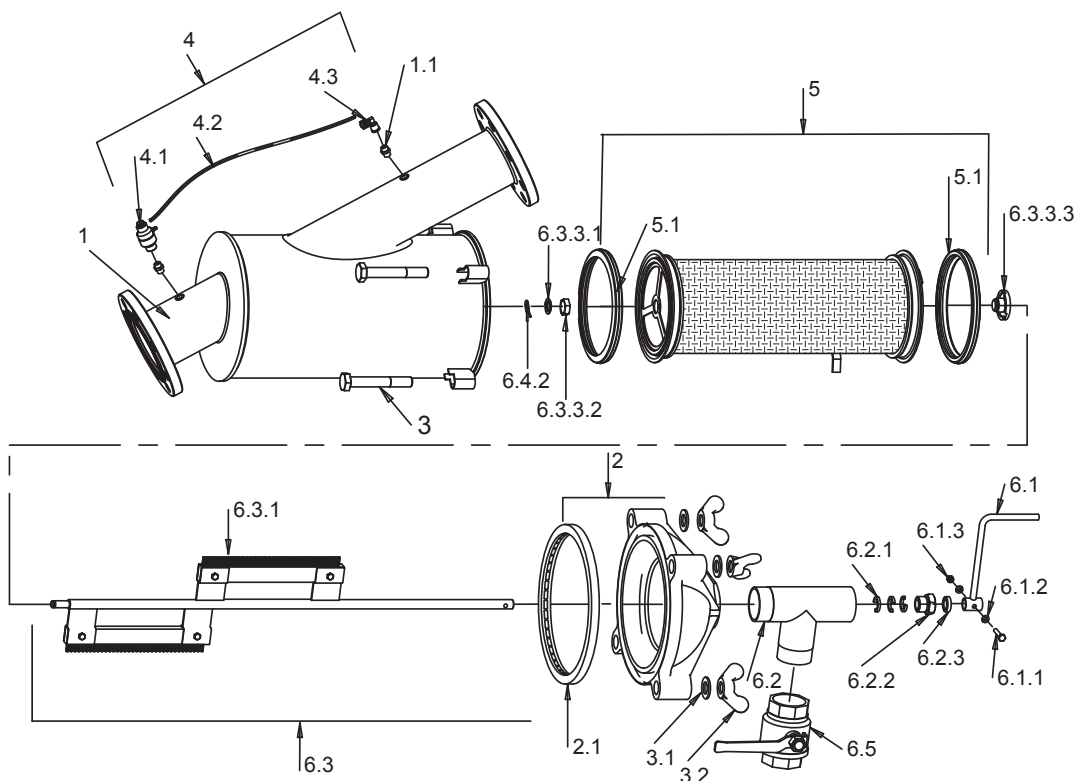
Semi Auto 4" S & 6" C Metal Filter Brushaway (Continued)

NO.	DESCRIPTION	SAP. CAT.NO.
1	Housing 4" S In-Line	710105-000155
1	Housing 6" C In-Line	710105-000195
2	Lid (4" S-14")	710103-000780
2.1	Hydraulic Seal AM-07 (Polyester Lid)	770104-000089
3	Bolt 3/4" x 130	760101-000297
3.1	Washer 3/4"	760103-000070
3.2	Wing Nut 3/4"	760102-000076
4	Clogging Indicator Assembly	700190-001304
4.1	Clogging Indicator	700190-001245
4.2	Pilot Tube 6mm	720502-000019
4.3	L-Connector 1/4" x 6mm	720501-000242
4.4	Connector 1/4" x 1/4"	710103-000591
5	Moulded Screen	700101-XXXXXX
5.1	Hydraulic Seal AM-05 (x 2)	770104-000080
6.1	Operating Handle (4" S-14")	710102-000219
6.1.1	Bolt M6 x 35 (St.St.)	760101-000447
6.1.2	Washer M6 (St.St.)	760103-000094
6.1.3	Nut M6 (St.St.)	760102-000085
6.2	T-Connector 2" x 2" x 3/4"	710102-000130

(Continued)

Semi Auto 4" S & 6" C Metal Filter Brushaway (Continued)

NO.	DESCRIPTION	SAP. CAT.NO.
6.2.1	Sealing Rope Set 4mm	700190-001363
6.2.2	Tightening Nut (4" S-14" Brush/Scan)	710103-000740
6.2.3	Plastic Bushing (4" S-14")	710103-000739
6.3	Brush Assembly	710102-000217
6.3.1	Brush Unit 6"	710103-000749
6.3.3.1	Union Nut Clip	710101-000974
6.3.3.2	3/4" Nut	780101-000741
6.3.3.3	Drive Bushing	710103-000777
6.4.2	Axis Locking Spring	760107-000053
6.5	Ball Valve 2" F-F	730104-000265



Semi Auto 6" S & 8" Inline Metal Filter Scanaway

NO.	DESCRIPTION	SAP. CAT.NO.
1	Housing 6" S In-Line	710105-000201
1	Housing 8" In-Line	710105-000257
2	Lid	710103-000780
2.1	Hydraulic Seal AM-07	770104-000089
3	Bolt 3/4" x 130 (x 4)	760101-000297
3.1	Washer 3/4" (x 4)	760103-000070
3.2	Wing Nut 3/4"(x 4)	760102-000076
4	Clogging Indicator Assembly	700190-001304
4.1	Clogging Indicator	700190-001245
4.2	6mm Pipe	720502-000019
4.3	Connector 1/4" x 1/4" (Brass) (x 2)	710103-000591
4.4	L-Connector 1/4" x 6mm	720501-000242
5	Moulded Screen	700101-XXXXXX
5.1	Hydraulic Seal AM-05 (x 2)	770104-000080
6.1	Operating Handle (2" -4")	710102-000057
6.1.1	Bolt M6 x 35 (St.St.)	760101-000447
6.1.2	Washer M6 (St.St.) (x 2)	760103-000094
6.1.3	Nut M6 (St.St.)	760102-000085
6.2	2" T - 2" x 2" (BSPT)	710105-000304

(Continued)

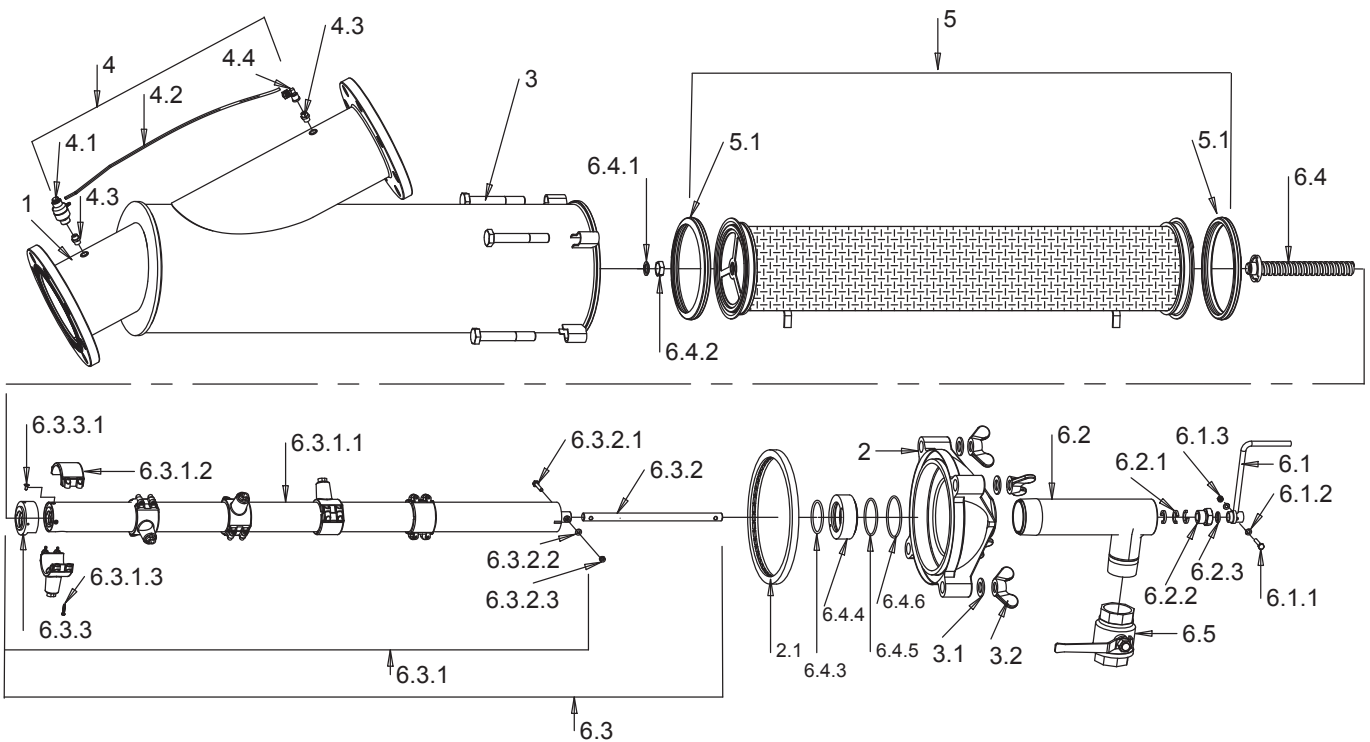
Semi Auto 6" S & 8" Inline Metal Filter Scanaway (Continued)

NO.	DESCRIPTION	SAP. CAT.NO.
6.2	2" T - 2" x 2" (NPT)	710105-000305
6.2.1	Sealing Rope	770104-000110
6.2.2	Tightening Nut (4" S-14")	710103-000740
6.2.3	Plastic Bushing (4" S-14")	710103-000739
6.3	Suction Scanner Assembly	700190-001471
6.3.1	Suction Scanner 8"	710102-000176
6.3.1.1	Suction Scanner Pipe	710103-000773
6.3.1.2	Suction Nozzle Unit (x 5)	710101-000922
6.3.1.3	Bolt M4 x 20 (St. St.) (x 20)	760101-000537
6.3.2	Scanner Shaft	710103-000770
6.3.2.1	Bolt M6 x 35 (St. St.)	760101-000447
6.3.2.2	Washer M6 (St. St.) (x2)	760103-000094
6.3.2.3	Lock Nut M6 (St. St.)	760102-000101
6.3.3	Plastic Nut 4"-14" Scanaway	710103-000771
6.3.3.1	Bolt 3.5 x 9.5 (St.St.)	760101-000541
6.4	Drive Bolt, Scanaway 4" S-14"	710103-000776
6.4.1	Union Nut Clip	710101-000974
6.4.2	3/4" Nut	780101-000741
6.4.3	O-Ring 60 x 4	770101-000040

(Continued)

Semi Auto 6" S & 8" Inline Metal Filter Scanaway (Continued)

NO.	DESCRIPTION	SAP. CAT.NO.
6.4.4	Scanner Bearing	710103-000778
6.4.5	O-Ring (P2-235)	770102-000124
6.4.6	O-Ring (P2-232)	770102-000121
6.5	2" Ball Valve	730104-000265



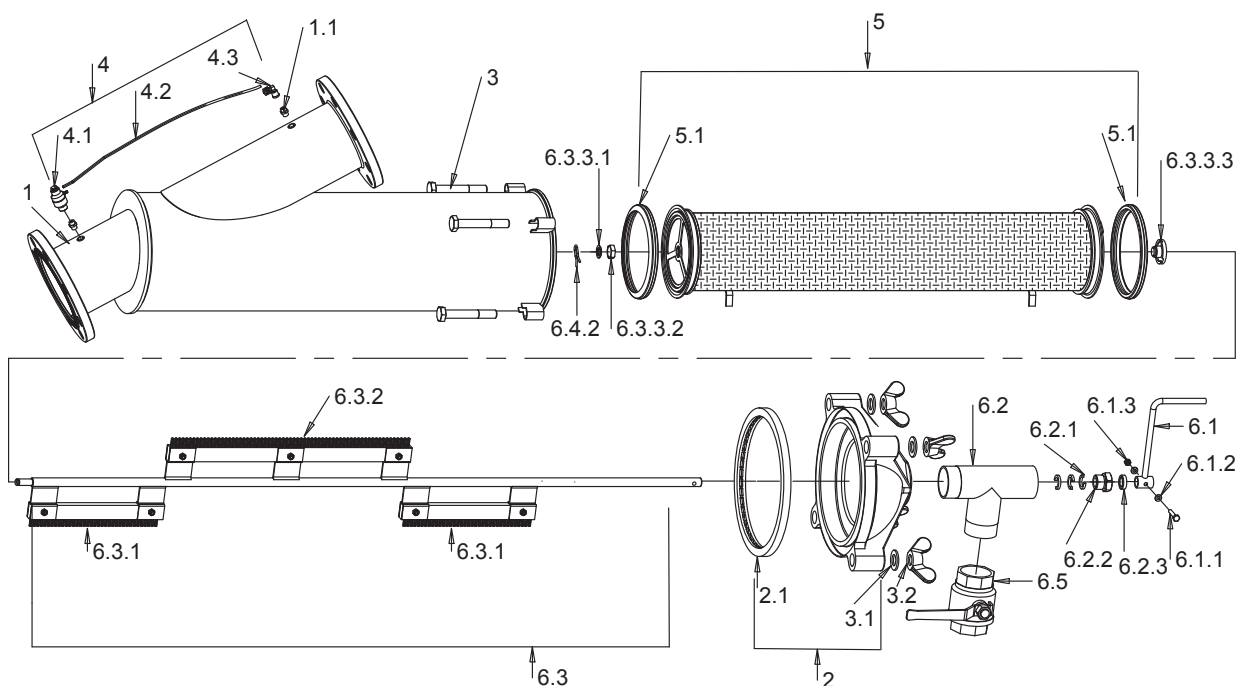
Semi Auto 6" S & 8" Inline Metal Filter Brushaway

NO.	DESCRIPTION	SAP. CAT.NO.
1	Housing (6" S In-Line)	710105-000201
1	Housing (8" In-Line)	710105-000257
2	Lid (4" S-14")	710103-000780
2.1	Hydraulic Seal AM-07 (Polyester Lid)	770104-000089
3	Bolt 3/4" x 130	760101-000297
3.1	Washer 3/4"	760103-000070
3.2	Wing Nut 3/4"	760102-000076
4	Clogging Indicator Assembly	700190-001304
4.1	Clogging Indicator	700190-001245
4.2	Pilot Tube 6mm	720502-000019
4.3	L-Connector 1/4" x 6mm	720501-000242
4.4	Connector 1/4" x 1/4"	710103-000591
5	Moulded screen	700101-XXXXXX
5.1	Hydraulic Seal AM-05 (X2)	770104-000080
6.1	Operating Handle (4" S-14")	710102-000219
6.1.1	Bolt M6 x 35 (St.St.)	760101-000447
6.1.2	Washer M6 (St.St.)	760103-000094
6.1.3	Nut M6 (St.St.)	760102-000085
6.2	T-Connector 2" x 2" x 3/4"	710102-000130

(Continued)

Semi Auto 6" S & 8" Inline Metal Filter Brushaway (Continued)

NO.	DESCRIPTION	SAP. CAT.NO.
6.2.1	Sealing Rope Set 4mm	700190-001363
6.2.2	Tightening Nut (4" S-14" Brush/Scan)	710103-000740
6.2.3	Plastic Bushing (4" S-14")	710103-000739
6.3	Brush Assembly	710102-000221
6.3.1	Brush Unit 6"	710103-000749
6.3.2	Brush Unit 8"	710103-000748
6.3.3.1	Union Nut Clip	710101-000974
6.3.3.2	3/4" Nut	780101-000741
6.3.3.3	Drive Bushing	710103-000777
6.4.2	Axis Locking Spring	760107-000053
6.5	Ball Valve 2" F-F	730104-000265



Semi Auto 6" S & 8" Modular Metal Filter Scanaway

NO.	DESCRIPTION	SAP. CAT.NO.
1	Housing 6" S Modular	710105-XXXXXX
1	Housing 8" Modular	710105-000261
2	Lid	710103-000780
2.1	Hydraulic Seal AM-07	770104-000089
3	Bolt 3/4" x 130 (x 4)	760101-000297
3.1	Washer 3/4" (x 4)	760103-000070
3.2	Wing Nut 3/4"(x 4)	760102-000076
4	Clogging Indicator Assembly	700190-001304
4.1	Clogging Indicator	700190-001245
4.2	6mm Pipe	720502-000019
4.3	Connector 1/4" x 1/4" (Brass) (x 2)	710103-000591
4.4	L-Connector 1/4" x 6mm	720501-000242
5	Moulded Screen	700101-XXXXXX
5.1	Hydraulic Seal AM-05 (x 2)	770104-000080
6.1	Operating Handle (2" -4")	710102-000057
6.1.1	Bolt M6 x 35 (St.St.)	760101-000447
6.1.2	Washer M6 (St.St.) (x 2)	760103-000094
6.1.3	Nut M6 (St.St.)	760102-000085
6.2	2" T - 2" x 2" (BSPT)	710105-000304

(Continued)

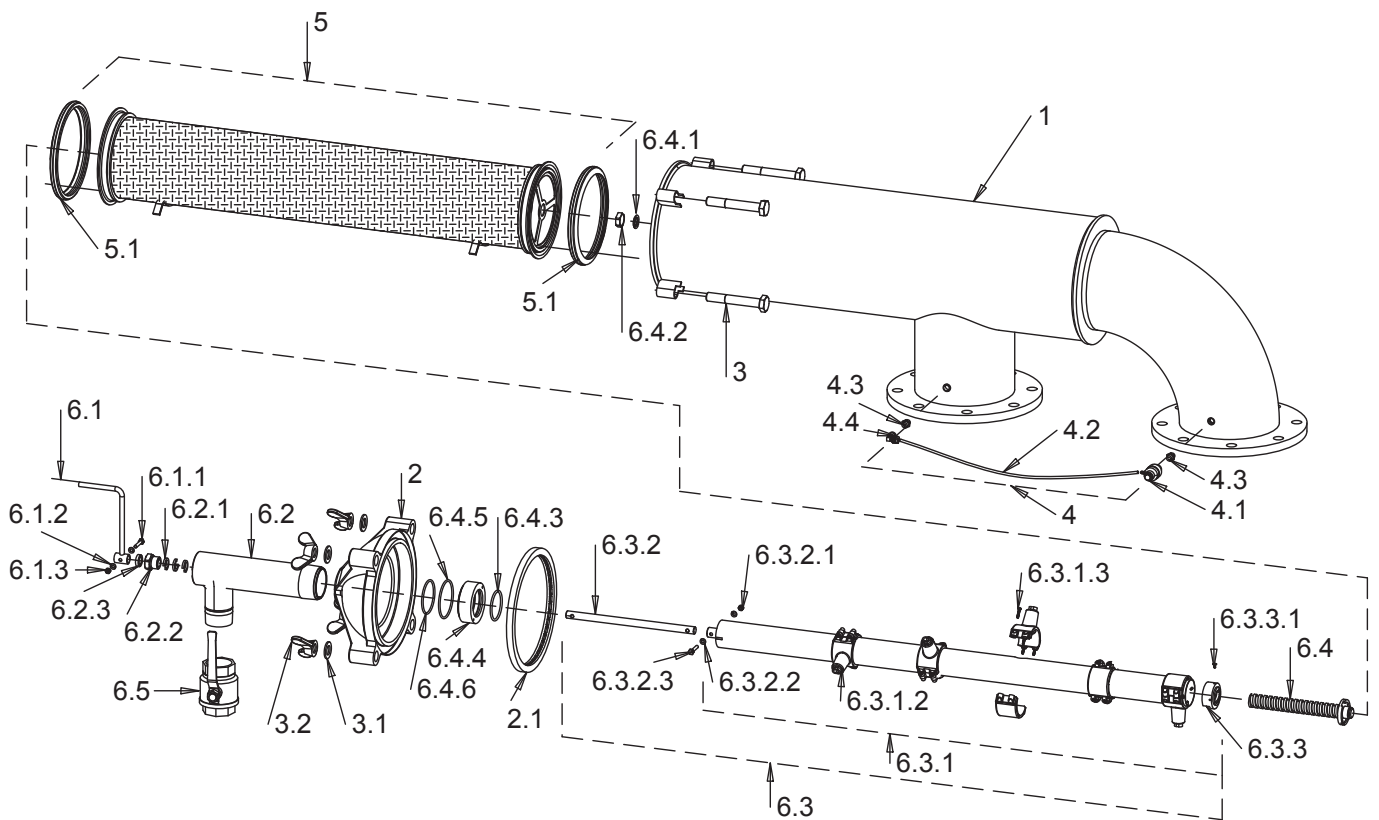
Semi Auto 6" S & 8" Modular Metal Filter Scanaway (Continued)

NO.	DESCRIPTION	SAP. CAT.NO.
6.2	2" T - 2" x 2" (NPT)	710105-000305
6.2.1	Sealing Rope	770104-000110
6.2.2	Tightening Nut (4" S-14")	710103-000740
6.2.3	Plastic Bushing (4" S-14")	710103-000739
6.3	Suction Scanner Assembly	700190-001471
6.3.1	Suction Scanner 8"	710102-000176
6.3.1.1	Suction Scanner Pipe	710103-000773
6.3.1.2	Suction Nozzle Unit (x 5)	710101-000922
6.3.1.3	Bolt M4 x 20 (St. St.) (x 20)	760101-000537
6.3.2	Scanner Shaft	710103-000770
6.3.2.1	Bolt M6 x 35 (St. St.)	760101-000447
6.3.2.2	Washer M6 (St. St.) (x 2)	760103-000094
6.3.2.3	Lock Nut M6 (St. St.)	760102-000101
6.3.3	Plastic Nut 4"-14" Scanaway	710103-000771
6.3.3.1	Bolt 3.5 x 9.5 (St.St.)	760101-000541
6.4	Drive Bolt, Scanaway 4" S-14"	710103-000776
6.4.1	Union Nut Clip	710101-000974
6.4.2	3/4" Nut	780101-000741
6.4.3	O-Ring 60 x 4	770101-000040

(Continued)

Semi Auto 6" S & 8" Modular Metal Filter Scanaway (Continued)

NO.	DESCRIPTION	SAP. CAT.NO.
6.4.4	Scanner Bearing	710103-000778
6.4.5	O-Ring (P2-235)	770102-000124
6.4.6	O-Ring (P2-232)	770102-000121
6.5	2" Ball Valve	730104-000265



Semi Auto 6" S & 8" Modular Filter Brushaway

NO.	DESCRIPTION	SAP. CAT.NO.
1	Housing (6" S Modular)	710105-XXXXXX
1	Housing (8" Modular)	710105-000261
2	Lid (4" S-14")	710103-000780
2.1	Hydraulic Seal AM-07 (Polyester Lid)	770104-000089
3	Bolt 3/4" x 130	760101-000297
3.1	Washer 3/4"	760103-000070
3.2	Wing Nut 3/4"	760102-000076
4	Clogging Indicator Assembly	700190-001304
4.1	Clogging Indicator	700190-001245
4.2	Pilot Tube 6mm	720502-000019
4.3	L-Connector 1/4" x 6mm	720501-000242
4.4	Connector 1/4" x 1/4"	710103-000591
5	Moulded screen	700101-XXXXXX
5.1	Hydraulic Seal AM-05 (x 2)	770104-000080
6.1	Operating Handle (4" S-14")	710102-000219
6.1.1	Bolt M6 x 35 (St.St.)	760101-000447
6.1.2	Washer M6 (St.St.)	760103-000094
6.1.3	Nut M6 (St.St.)	760102-000085
6.2	T-Connector 2" x 2" x 3/4"	710102-000130

(Continued)

Semi Auto 6" S & 8" Modular Filter Brushaway (Continued)

NO.	DESCRIPTION	SAP. CAT.NO.
6.2.1	Sealing Rope Set 4mm	700190-001363
6.2.2	Tightening Nut (4" S-14" Brush/Scan)	710103-000740
6.2.3	Plastic Bushing (4" S-14")	710103-000739
6.3	Brush Assembly	710102-000221
6.3.1	Brush Unit 6"	710103-000749
6.3.2	Brush Unit 8"	710103-000748
6.3.3.1	Union nut clip	710101-000974
6.3.3.2	3/4" Nut	780101-000741
6.3.3.3	Drive Bushing	710103-000777
6.4.2	Axis Locking Spring	760107-000053
6.5	Ball Valve 2" F-F	730104-000265

