

# Plastic filters

## Amiad



Amiad offers a series of high-quality plastic filters in the sizes ¾" to 3". The filters are suitable for use in the agricultural sector and in industry. Amiad plastic filters distinguish themselves through the high quality of the materials and their sophisticated design.

As with the steel filters, the plastic filter housings can be equipped with (see also general information sheet 'Filtration'):

- ✓ Woven stainless steel wire mesh screens
- ✓ Disc elements
- ✓ Perforated stainless steel cylinders

The 'Super' (S) versions have an extra-large screen surface area and therefore need to be cleaned less often.

There is a ¾" polyester filter with Viton seals and polyester filter screen specially for pre-filtration of highly concentrated fertilisers. This plastic filter is recognisable from the pale blue housing.

The type designation 'T' indicates that the ingoing and outgoing edges are at right angles to one another and the upper edge is closed. With the designation 'TL' the upper edge has a cap in which a 'Scanaway' or 'Brushaway' can be installed.

### APPLICATION

Plastic filters are used as main filters in smaller installations, as irrigation set filters or as subsequent filters behind a media filter

### CHARACTERISTICS

- ✓ Replaceable filter elements for a wide range of capacities, filtration levels and applications
- ✓ High mechanical strength and corrosion resistance
- ✓ Low pressure losses
- ✓ Easy to open for maintenance without the use of tools
- ✓ Semi-automatic upgrade (Brushaway and Scanaway) available (2" TL and 3" TL filters)
- ✓ Since 2020 the flushing valve configuration of 2" and 3" plastic filters is adapted. The previous models have a 1½" outer thread connection in combination with a 1½" x ¾" screw adapter. Models after 2020 have a direct ¾" connection.

### TECHNICAL DATA

Diameter	: ¾" - 3"
Filtration level	: 25 - 3500 micron
	: 5 micron (1½" - PP mesh element)
Max. pressure	: 10 bar (at 20°C)
Max. capacity	: 3 - 50 m <sup>3</sup> /h
Max. temperature	: 60°C (with decreasing max. pressure)
Pressure losses	: see charts
Material	: see table



## Technical specifications

Type	¾"	¾" (chemical)	1"	1 ½"	2"TL	2"TL-S	3"TL
Connection	threaded	threaded	threaded	threaded	threaded	threaded	thread/flange
Maximum capacity (m³/h)	3	3	7	15	25	25	50
Screen area(cm²)	110	110	170	340	465	700	700
Disc area (cm²)	-	-	200	460	790	1185	1185
Colour	black	blue	black	black	black	black	black
Materials							
Housing	POM	PP	POM	POM	PA+GF	PA+GF	PA+GF
Cover	POM	PP	POM	POM	PA+GF	PA+GF	PA+GF
Seal ring	NBR	VITON	NBR	NBR	NBR	NBR	NBR
Nut / clamping strip	-	-	-	-	PA+GF	PA+GF	PA+GF
Screen construction	PP	PP	PP	PP	PC	PC	PC
Screen strainer	St.St.	Nylon	St.St.	St.St.	St.St.	St.St.	St.St.
Screen O-rings	NBR	VITON	NBR	NBR	NBR	NBR	NBR
Disc construction	-	-	PP	PP	PE	PE	PE
Disc plates	-	-	PE	PE	PE	PE	PE
Disc O-rings	-	-	NBR	NBR	NBR	NBR	NBR

¾" blue = fertiliser-resistant  
PP = Polypropylene

PES = Polyester  
PC = Polycarbonate  
PA = Polyamide

GF = Glassfibre  
St.St. = Stainless Steel - 316  
POM = Polyacetate

PE = Polyethylene  
PBT = Polybutylene  
NBR = Nitrile rubber

The choice of filter depends on the desired capacity, filtration level and contamination level of the water. The selection table below can be used to make the right choice.

## Available filtration degrees

Colour	White	Brown	Green	Orange	Black	Yellow	Rood	Purple	White	Brown	Blue	Green	Grey	-	-	-
Micron	5	22	25	50	80	100	130	180	200	250	300	500	800	1500	2500	3500
Mesh	threaded		450	300	200	155	120	80	75	60	50	30	20	10	6	4
¾" 1"C		▲		▲	▲	▲	▲		▲		▲	▲				
1" - 1 ½"	■	▲	★	▲	▲	▲★	▲★		▲	★	▲	▲				
2" 3"				▲	▲	▲★	▲★	★	▲	★	▲	▲	●	●	●	●

■ Candle filter

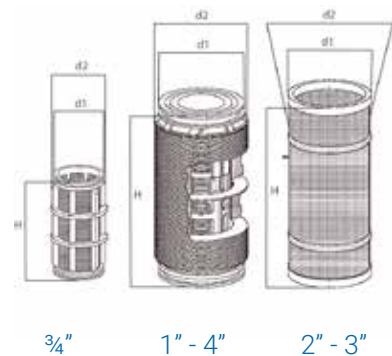
▲ Filter screen

★ Disc element

● Perforated stainless steel cylinder

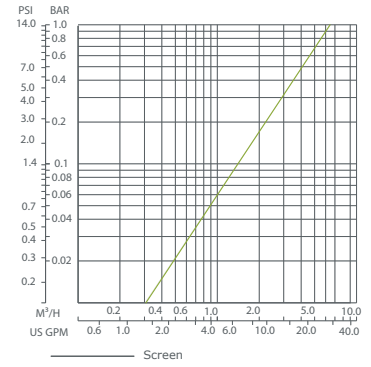
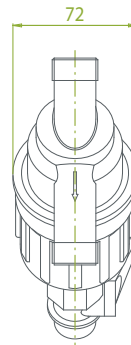
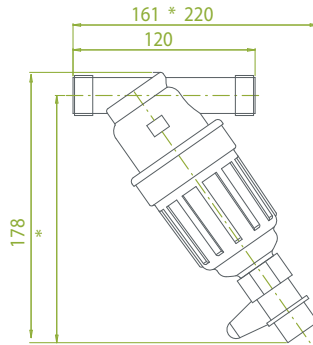
## Dimensions of filtration elements (see figure)

Type	Filter screen			Disc element			Perforated plate		
	ø (mm)		H (mm)	ø mm		H (mm)	ø (mm)		H (mm)
	d1	d2		d1	d2		d1	d2	
¾"	37	43	127	-	-	-	-	-	-
1"	60	70	127	60	65	127	-	-	-
1 ½"	60	70	255	60	65	254	-	-	-
2", 2"T, 2"TL	109	109	248	108	130	250	108	100	250
3"LT-S (2x)	109	109	248	108	130	250	108	100	250
2"S, 3"T, 3"TL	109	109	373	108	130	380	108	100	372

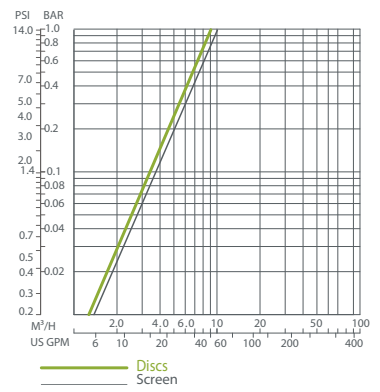
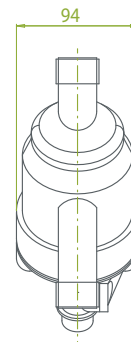
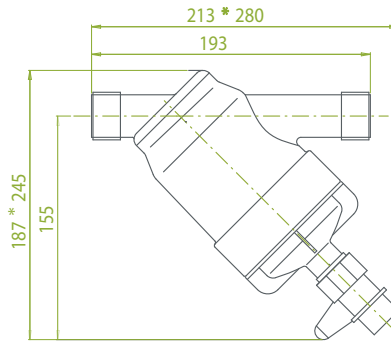


TECHNICAL DRAWING

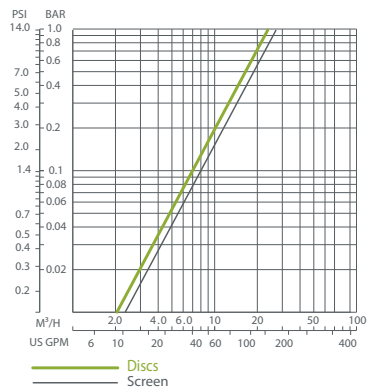
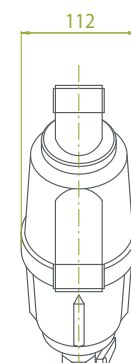
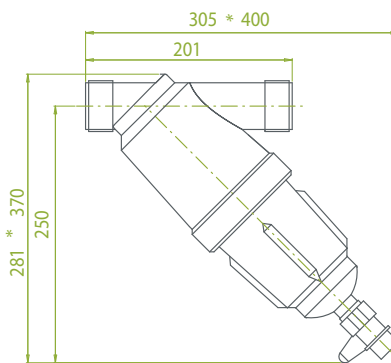
3/4"



1"



1 1/2"

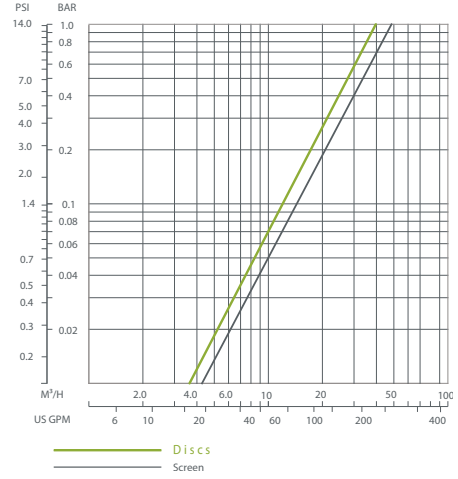
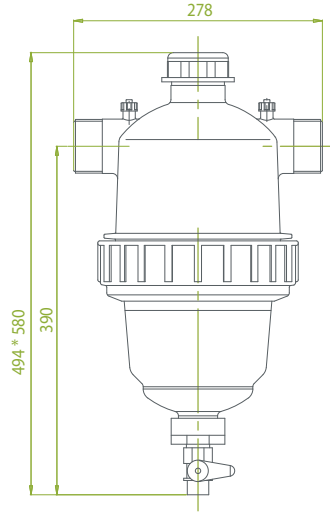


\*Pressure loss (with clean water and 130 micron screen)

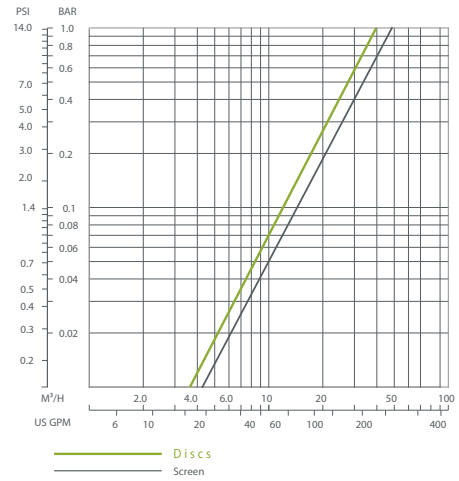
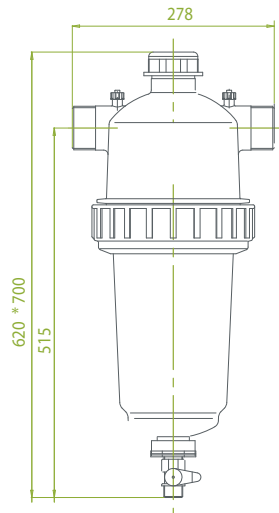
\*\*The second dimension is the required mounting length for installation (approximately)

TECHNICAL DRAWING

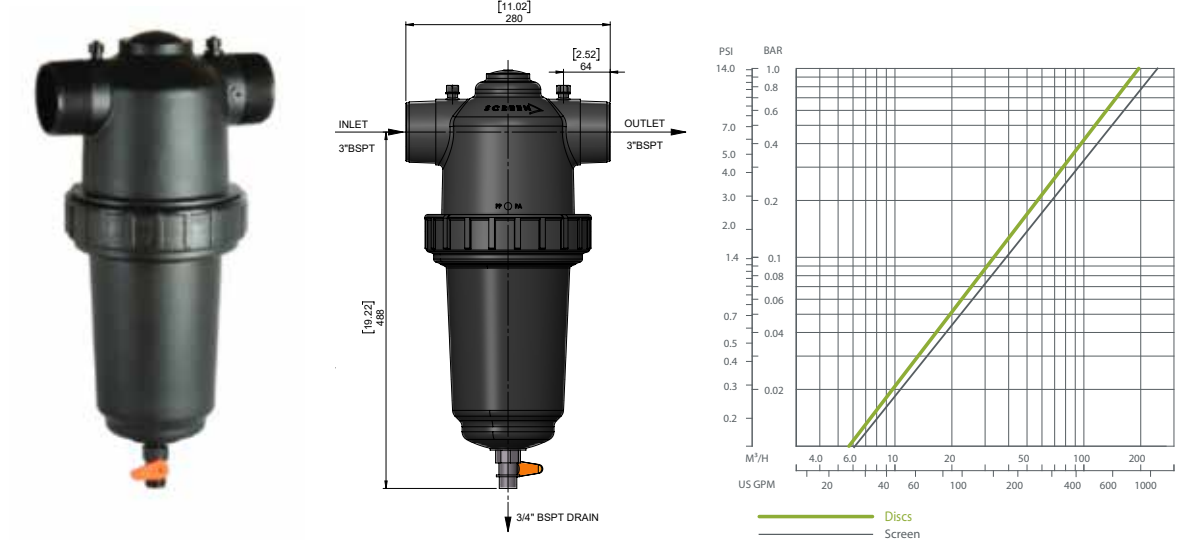
2"TL



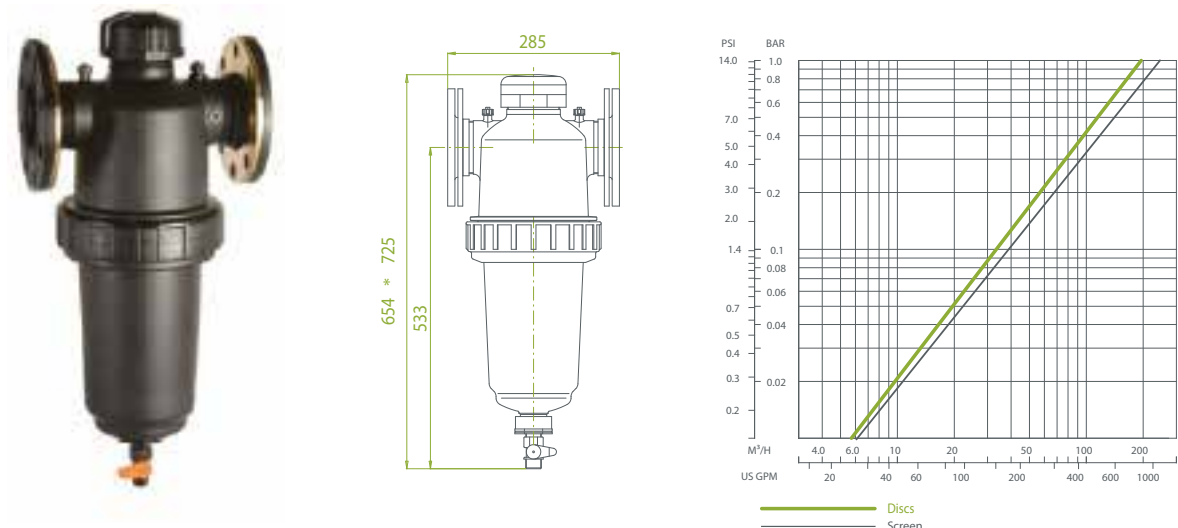
2"TL Super



3" T



3" TL



### INSTALLATION & MAINTENANCE

- ✔ Do not open the filter while pressurised.
- ✔ Install the filter in the recommended flow direction to avoid damage to the filter element.
- ✔ Seal screw thread connections using socket seals.