

# FIP VE-E manual ball valve

FIP



The VE Easyfit is a manually actuated PVC-U ball valve with double nut. The valve with glue or female thread connection ensures a long and trouble-free service life.

The patented Easyfit system offers simple installation of the nuts with a handle and teeth. As a result, no other tools are required for the installation of the valve. Use of the Easyfit multifunctional handle is the best solution for carrying out maintenance work in small spaces.

The VE-E ball valves have a CNC-machined round ball and a shaft. This results in good sealing in the valve and hence a reduced risk of wear and accumulation of contamination. The ball is contained in PE ball seats with adjustable washer. This washer can be adjusted using the handle. The position of the washer is not influenced by the nuts.

## APPLICATION

Several irrigation and other water systems and as manual dosing valve

## CHARACTERISTICS

- ✓ PVC-U housing
- ✓ Simple installation with handle and nut with teeth
- ✓ Compact design with dimensions to NEN-EN 1452
- ✓ Completely interchangeable with previous ball valve model (incl. 75, 90, 110 mm diameter)
- ✓ Working pressure up to 16 bar at 20°C for the whole series
- ✓ Equipped as standard with EPDM O-rings, optionally with FPM (Viton) rings. This type has a red sticker marked with the word 'Viton'
- ✓ O-rings easily removed by unscrewing the nuts

## TECHNICAL DATA

Diameter	: 16-110 mm (VEEIV: female glue fitting) : 3/8" - 4" (VEEFV: BSP female thread)
Seal	: EPDM, optionally FPM (Viton)
Maximum pressure	: 16 bar
Maximum temperature	: 60°C (with decreasing maximum working pressure)
Material	: PVC-U (housing) : PVC-U (ball) : EPDM / FPM (O-ring) : PE / PTFE (seat)

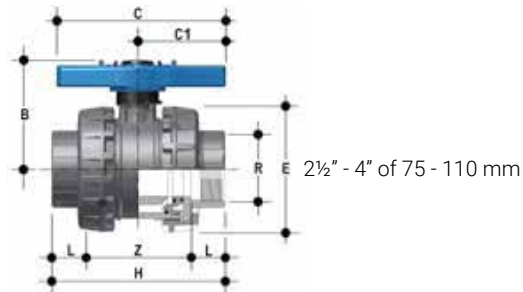
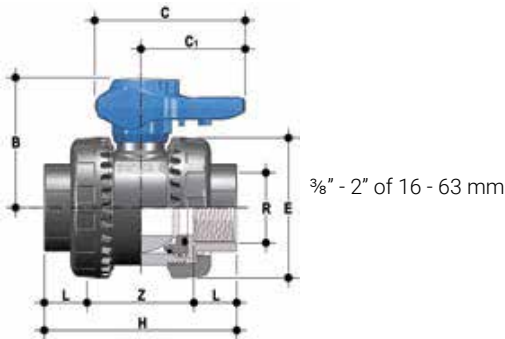
### Dimensions of ball valve VEEFV (glue fitting) - mm

d	DN	PN	L	Z	H	E	B	C	C1	g
16	10	16	14	54	82	54	49	64	20	180
20	15	16	16	50	82	54	49	64	20	175
25	20	16	19	53	91	63	62	78	23	260
32	25	16	22	59	103	72	71	87	27	365
40	32	16	26	68	120	85	82	102	30	565
50	40	16	31	77	139	100	92	109	33	795
63	50	16	38	98	174	118	110	133	39	1325
75*	65	16	44	123	211	157	142	214	115	2750
90*	80	16	51	146	248	174	151	239	126	3432
110*	100	16	61	161	283	212	174,5	270	145	5814

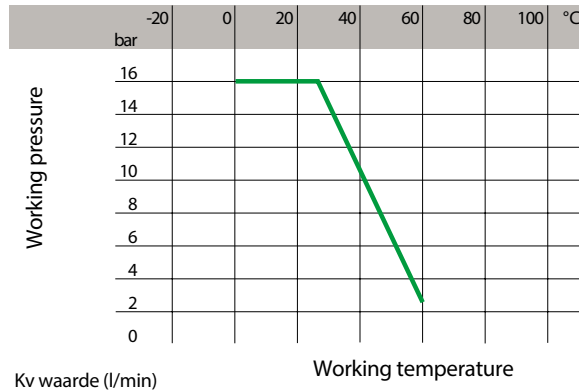
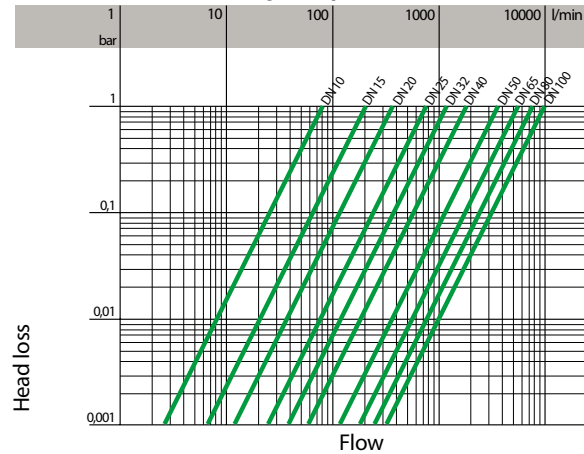
### VEEIV (female thread) - mm

d	DN	PN	L	Z	H	E	B	C	C1	g
3/8	10	16	11,4	59,2	82	54	49	64	20	180
1/2	15	16	15,0	60,0	90	54	49	64	20	175
3/4	20	16	16,3	60,4	93	63	62	78	23	260
1	25	16	19,1	71,8	110	72	71	87	27	365
1 1/4	32	16	21,4	84,2	127	85	82	102	30	565
1 1/2	40	16	21,4	88,2	131	100	92	109	33	795
2	50	16	25,7	109,6	161	118	110	133	39	1325
2 1/2	65	16	30,2	150,6	211	157	142	214	115	2750
3	80	16	33,3	181,4	248	174	151	239	126	3432
4	100	16	39,3	204,4	283	212	174,5	270	145	5814

g = Weight in gram \* Dimensions and pressure class modified at end of 2013 (whole series PN16)



### Pressure loss, working temperatures and Kv-values



	16	20	25	32	40	50	63	75	90	110
DN	10	15	20	25	32	40	50	65	80	100
k <sub>v100</sub>	80	200	385	770	1100	1750	3400	5000	7000	9400

## INSTALLATION & MAINTENANCE

### Installation

- ✓ The FIP VE-E ball valve can be installed in any position.
- ✓ Before adjusting the washer, the nut is removed so that the released washer can be adjusted with the upper side of the handle.
- ✓ Pay attention during gluing that no glue comes into contact with the ball or ball seats.
- ✓ The FIP VE-E ball valve must be installed strain-free.