

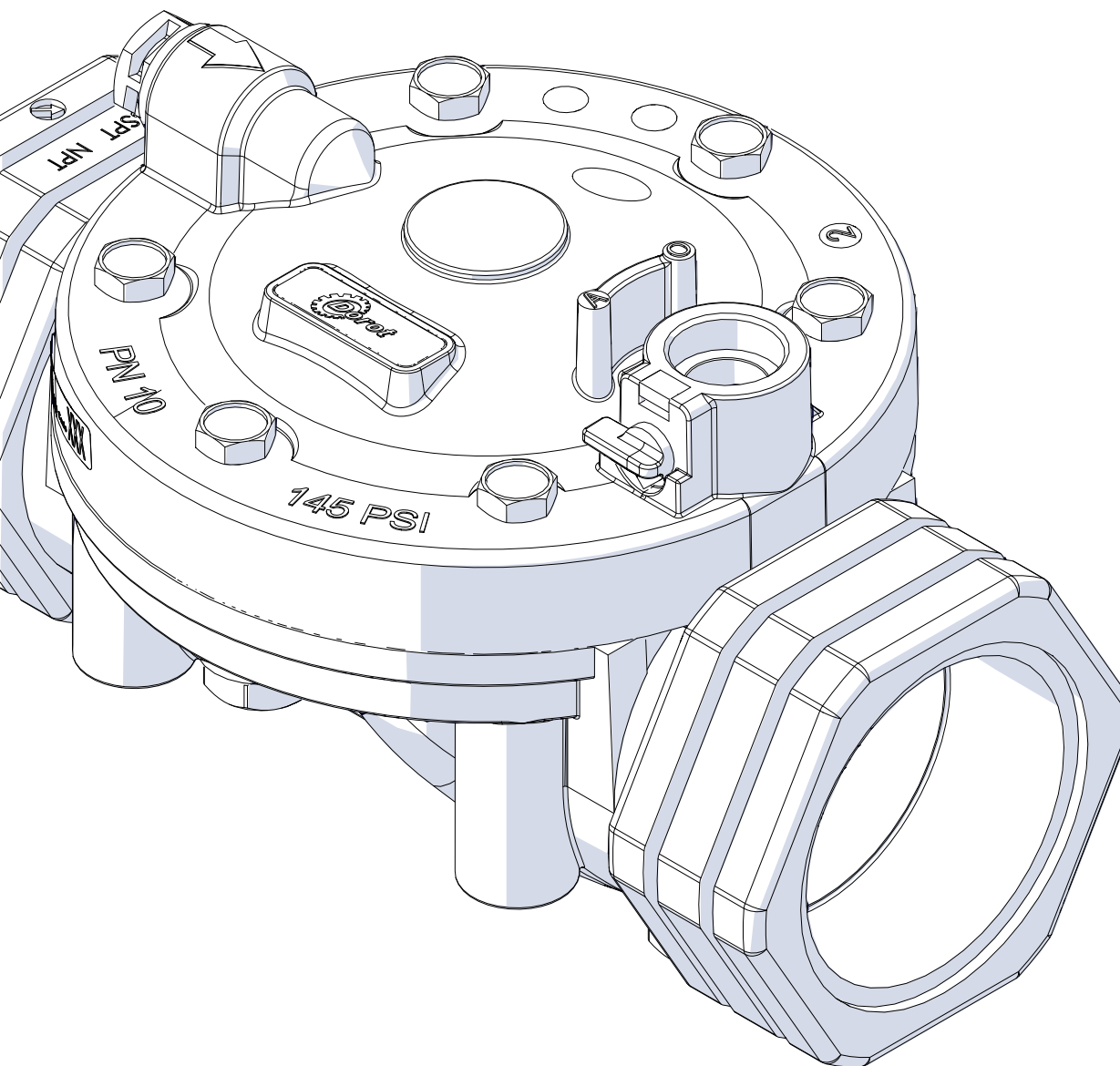


Parts Catalog - S-75

Applicable Sizes : 40-80Rmm / 1.5"-3"R

End Connection : Threaded - 40-80Rmm / 1.5"-3"R

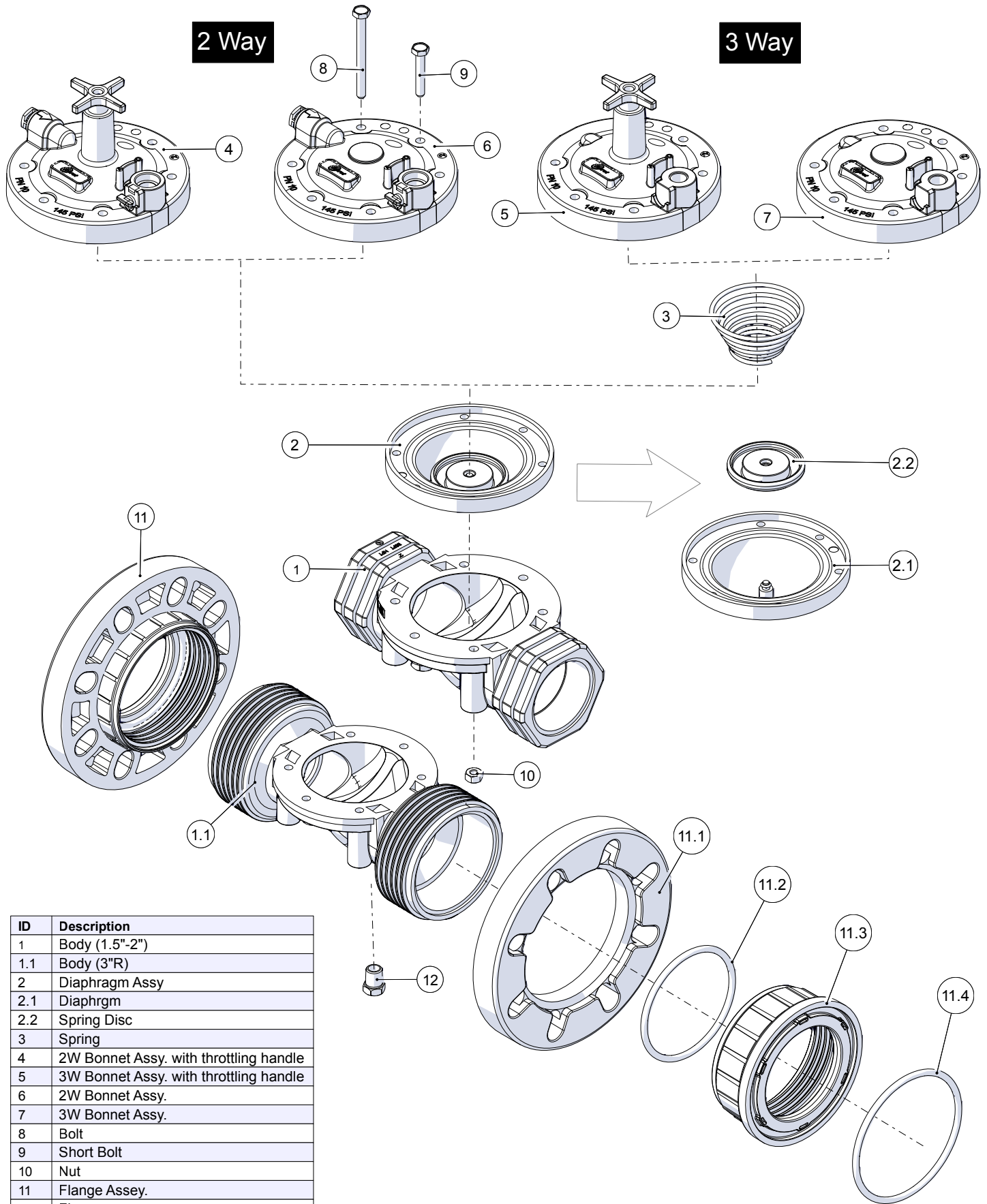
End Connection : Flanged - 80Rmm / 3"



Applicable Sizes : 40-80Rmm / 1.5"-3"R

End Connection : Threaded - 40-80Rmm / 1.5"-3"R

End Connection : Flanged - 80Rmm / 3"



ID	Description
1	Body (1.5"-2")
1.1	Body (3"R)
2	Diaphragm Assy
2.1	Diaphragm
2.2	Spring Disc
3	Spring
4	2W Bonnet Assy. with throttling handle
5	3W Bonnet Assy. with throttling handle
6	2W Bonnet Assy.
7	3W Bonnet Assy.
8	Bolt
9	Short Bolt
10	Nut
11	Flange Assey.
11.1	Flange
11.2	O - Ring
11.3	Flange Adapter
11.4	O - Ring
12	Plug